

## FITMENT INSTRUCTIONS



NISSAN NAVARA (H60) DOUBLE CAB

XTREME &amp; XPEDITION (for models WITH 2-channel Utili-Track™ system) &amp; LX

## FITMENT KIT CONTENTS

DESCRIPTION	QUANTITY	ILLUSTRATION
• M10 x 30 Hexagonal screw	20	
• M10 Nylock Nut	12	
• M10 Flat Washer	32	
• M10 Spring Washer	8	
• H60 Cab Bracket Inner	2	
• H60 Cab Bracket LH Outer	1	
• H60 Cab Bracket RH Outer	1	
• H60 Tail Gate Bracket Inner	2	
• H60 Tail Gate Bracket LH Outer	1	
• H60 Tail Gate Bracket RH Outer	1	

## REQUIRED TOOLS

DESCRIPTION	ILLUSTRATION
• 17mm Spanner	
• 17mm Socket Wrench (Optional)	
• Nr. 8 Allan Key	

## INSTALLATION TIME &amp; CARE INSTRUCTIONS

Approx. 45 Minutes (Excluding the removal of any accessories from load bin)

- ✓ Before installation, ensure that your hands and workwear are clean from oil, grime & dirt.
- ✓ Ensure that the correct tools and PPE are used whilst installing the canopy. Clean the rear cab window before fitting the canopy.
- ✓ Torque all M8 fasteners to approx. 56Nm.

## FITMENT STEPS

## STEP 1

- Unpack all components and hardware from packaging, ensure that everything is accounted for as indicated above.

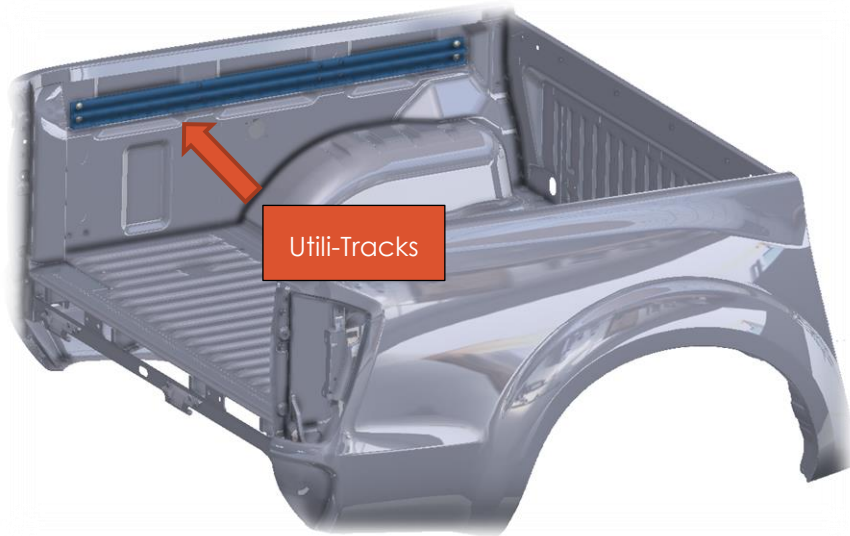
## STEP 2

- Remove any cab guards, roll bar, tonneau cover, sports bar etc. from vehicle.

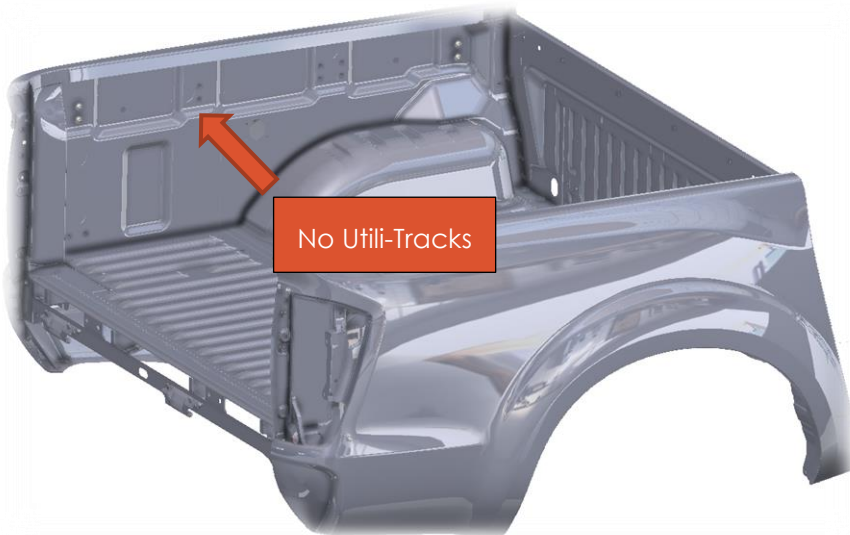


STEP 3

- ✓ Identify the difference between the LE/Pro & SE load box type. (Images Below)
- ✓ Follow the fitment instructions according to your load box type.
  - LE & Pro derivative Load boxes:

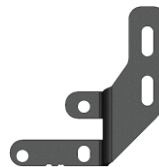
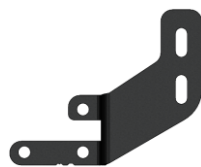
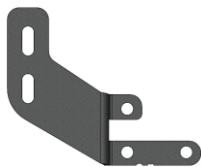


- SE Load box:



STEP 4

- ✓ Identify the front & rear fitment brackets:



REAR FITMENT BRACKET

REAR FITMENT BRACKET

FRONT FITMENT BRACKET

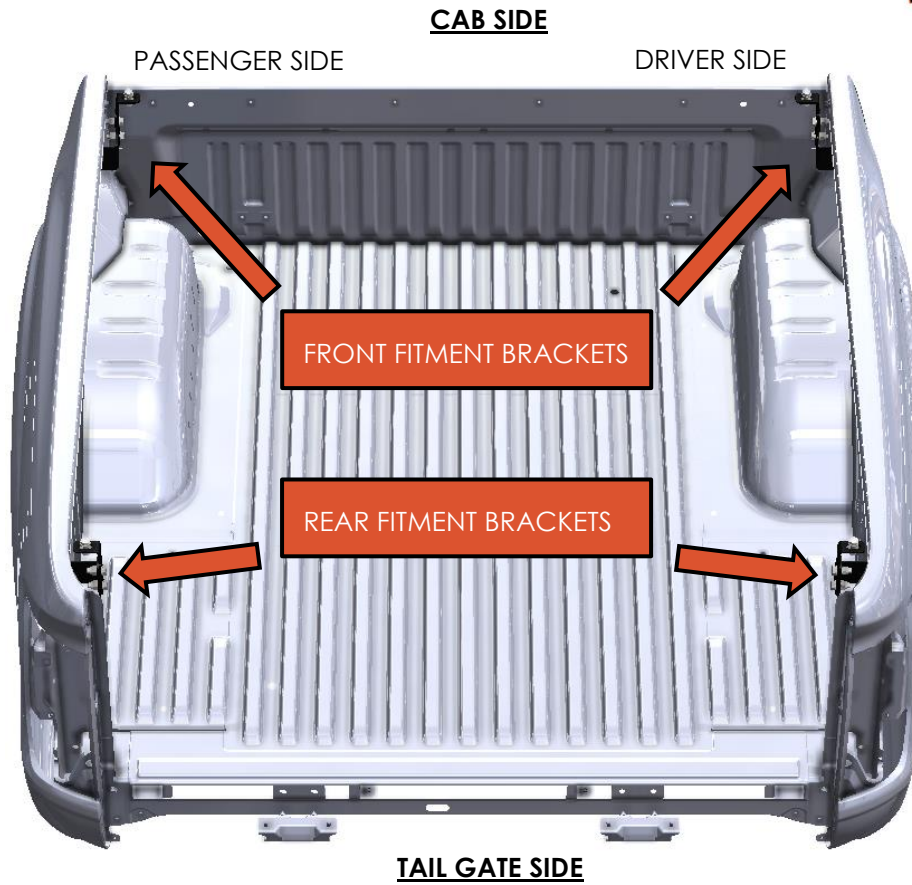
FRONT FITMENT BRACKET

PASSENGER SIDE  
(WIDE FLANGE)

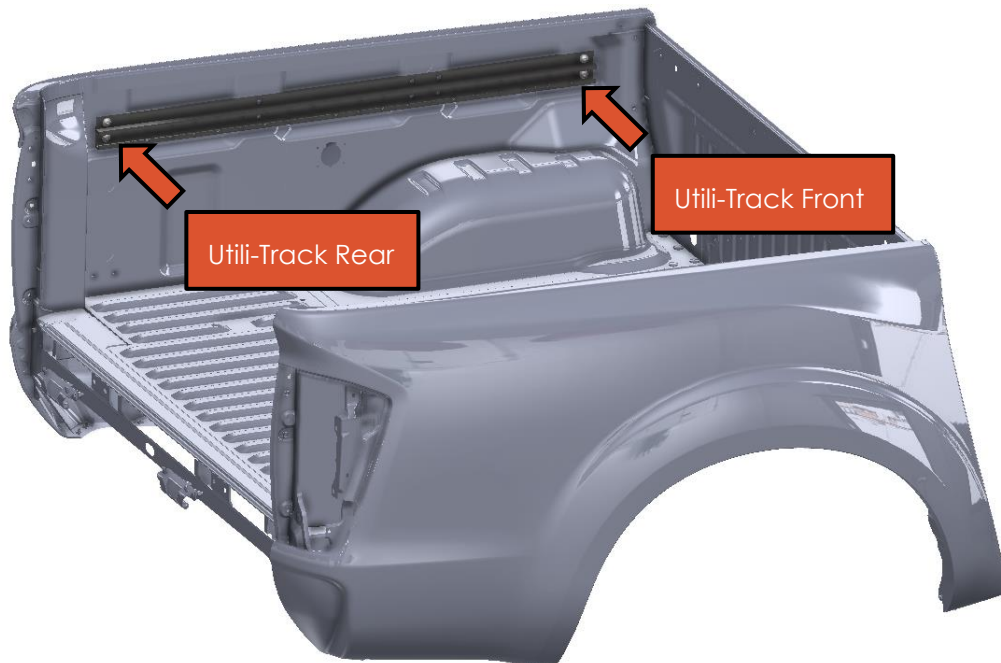
DRIVER SIDE  
(WIDE FLANGE)

PASSENGER SIDE  
(NARROW FLANGE)

DRIVER SIDE  
(NARROW FLANGE)

**STEP 5**

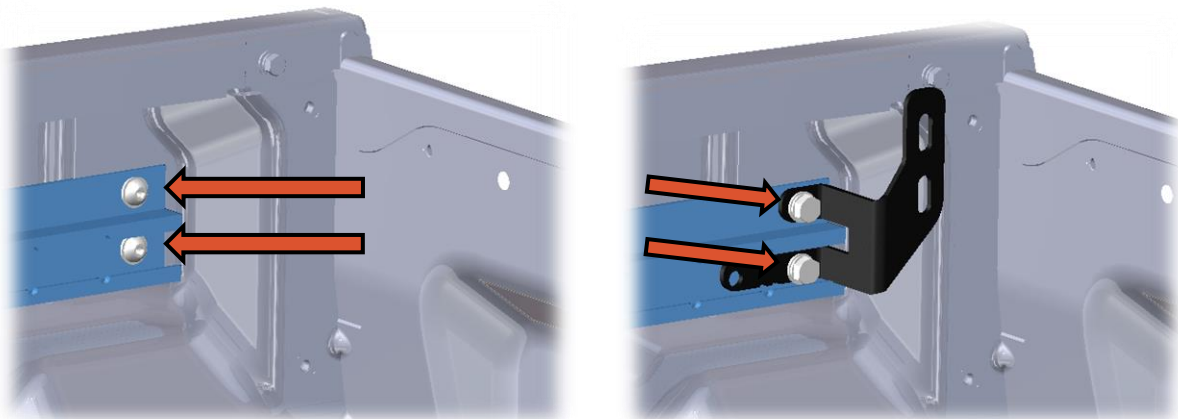
- Prepare the LE/PRO load box for fitment:
  - Locate the front & rear mounting points to fit the fitment brackets.



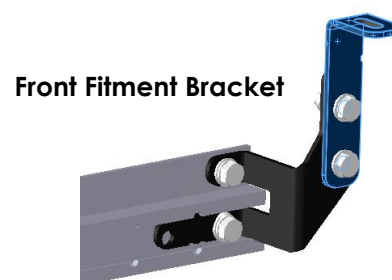
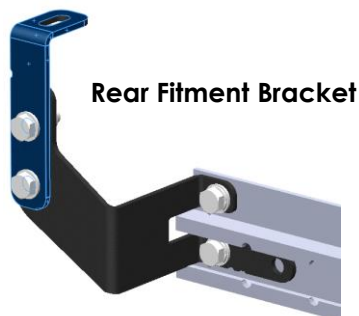
- **REAR FITMENT BRACKET:** Remove the 2 x M10 bolts at the back of the Utili-Track, then slide the bottom flange of the tail gate bracket as seen below into the rail, align the two holes and properly fasten with the supplied two M10 bolts, insert a M10 flat washer and M10 Spring Washer with each bolt.



- **FRONT FITMENT BRACKET:** Remove the 2 x M10 bolts at the front of the Utili-Track, then slide the bottom flange of the tail gate bracket as seen below into the rail, align the two holes and properly fasten with the supplied two M10 bolts, insert a M10 flat washer and M10 Spring Washer with each bolt.

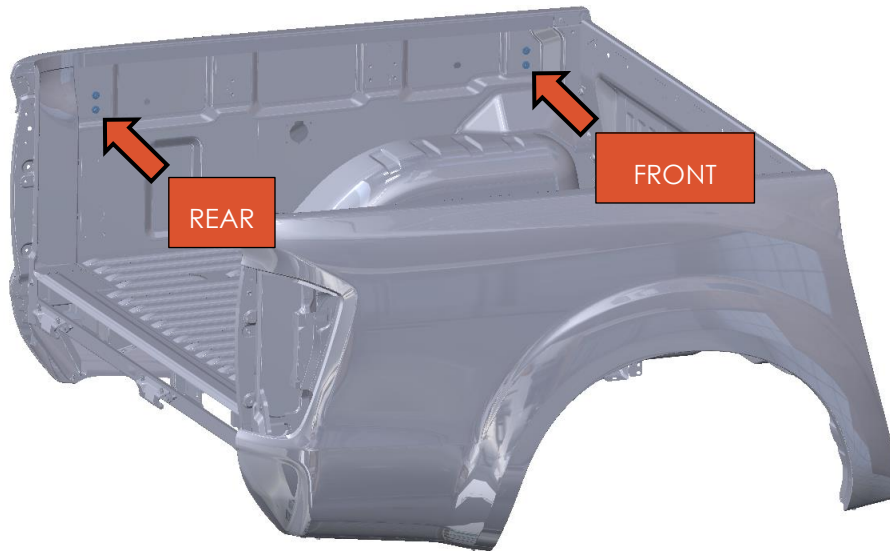


- When both the front & rear of the Utili-Track are fitted with the fitment brackets, fasten the Cab-and-tail gate Inner bracket to the lowest point in the slot as seen below, using 2x M10 x 30 Bolts, 4 x M10 washers and 2 x M10 Lock nuts per bracket:

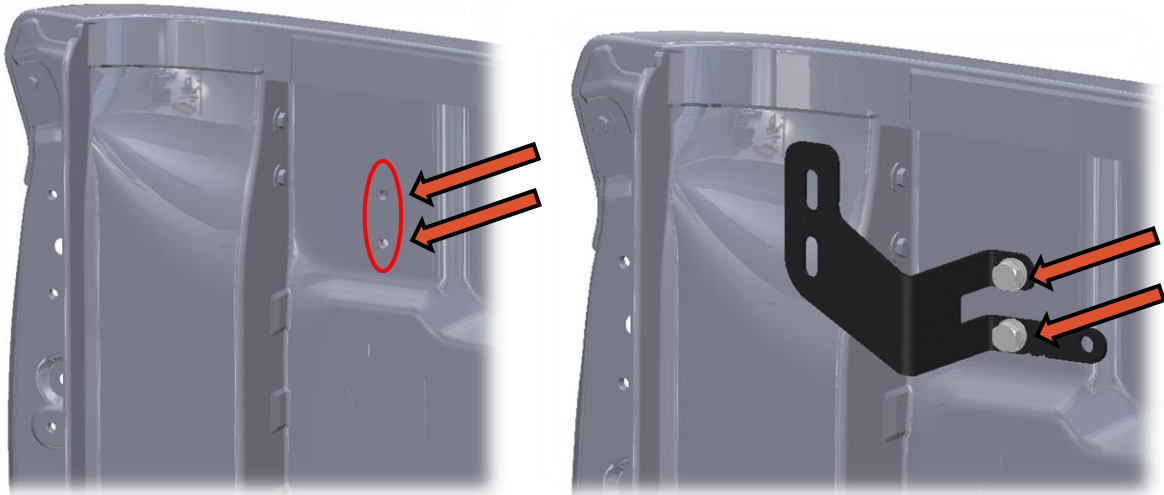


- Ensure that the rear cab window of the vehicle is clean, before loading the canopy onto the load bin.

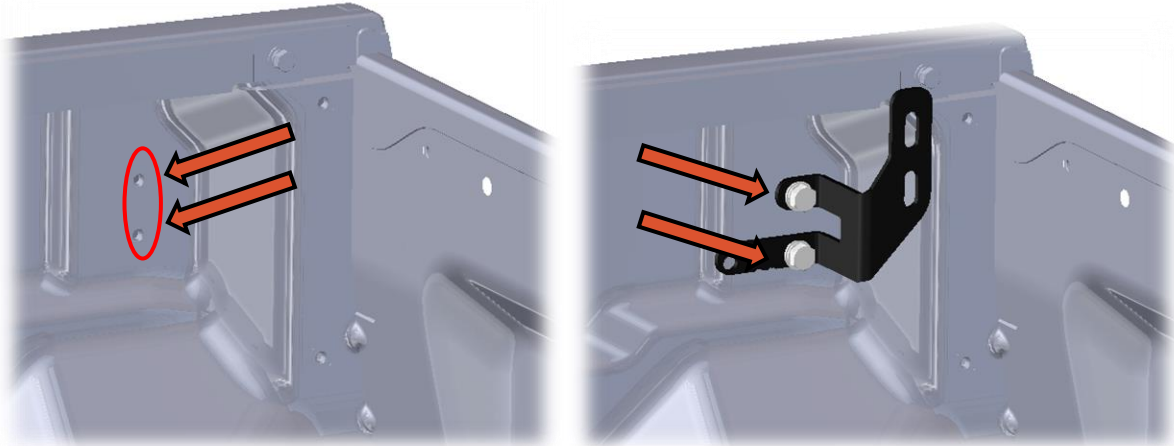
- ✓ Prepare the SE load box for fitment:
  - Locate the front & rear mounting points to fit the fitment brackets.



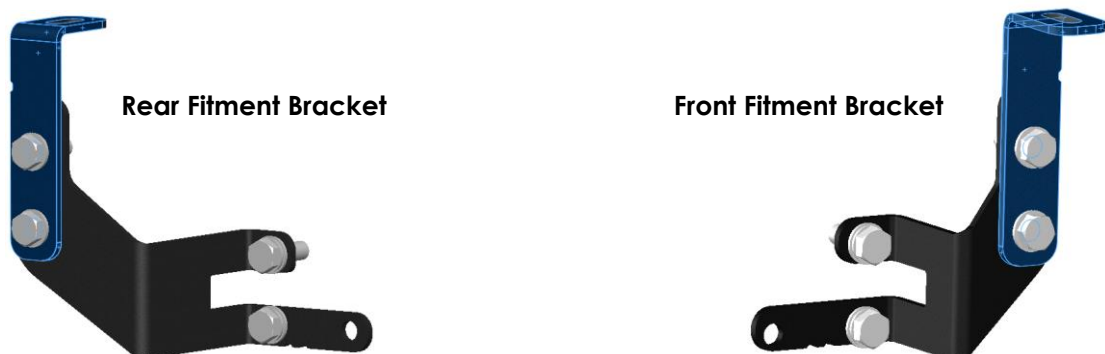
- **REAR FITMENT BRACKET:** Align the 2 x holes of the tail gate bracket as seen below, properly fasten with the supplied two M10 bolts, insert a M10 flat washer and M10 spring washer with each bolt. Repeat the process on the front of the load box. (If you wish to keep the tie-down brackets, these can be bolted over the fitment bracket)



- **FRONT FITMENT BRACKET:** Align the 2 x holes of the tail gate bracket as seen below, properly fasten with the supplied two M10 bolts, insert a M10 flat washer and M10 spring washer with each bolt. Repeat the process on the front of the load box. (If you wish to keep the tie-down brackets, these can be bolted over the fitment bracket)



- When both the front & rear of the Uti-Track are fitted with the fitment brackets, fasten the Cab-and-tail gate Inner bracket to the lowest point in the slot as seen below, using 2x M10 x 30 Bolts, 4 x M10 washers and 2 x M10 Lock nuts per bracket:

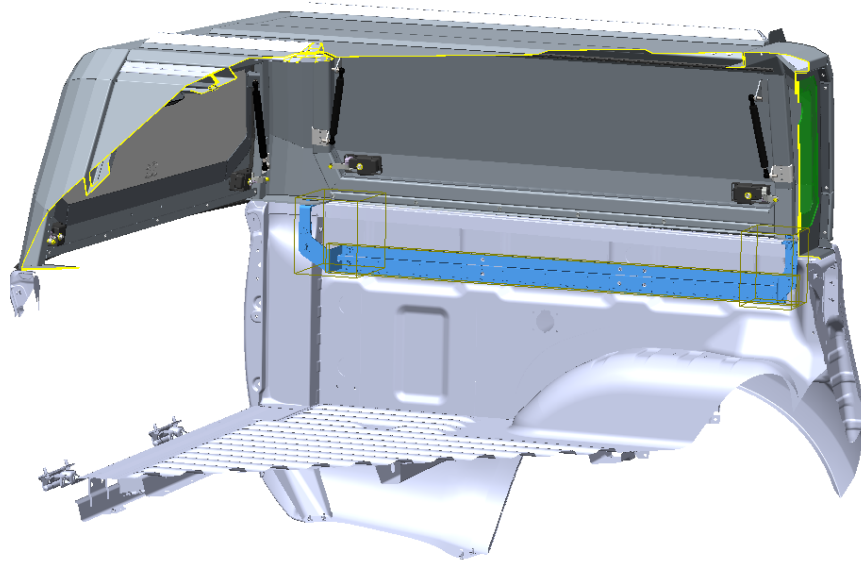


- Ensure that the rear cab window of the vehicle is clean, before loading the canopy onto the load bin.

STEP 6

- ✓ Load the canopy on to the loading bin, align & space evenly.
- ✓ Once the canopy is in place, ensure that the slots in the canopy side trims align with the slots in the fitment brackets. Once alignment is confirmed in all 4 corners, use a M10 x 30 bolt and M10 body washer on top, then 1 x M10 flat washer and 1 x M10 nylock nut on the bottom to pull the canopy to the brackets.

**Tip:** do not forget to apply copper compound to the thread as the nut and bolt could seize.



TAIL GATE FITMENT BRACKET

CAB SIDE FITMENT BRACKET



## STEP 7

- ✓ Trim sealing rubber on tailgate with knife or scissors.
- ✓ Check again for alignment of canopy on sides of loading bin.
- ✓ Check all bolts one final time.
- ✓ Please contact us on 010 010 0060 if you require any assistance with your canopy.
- ✓ Enjoy your NEW Rhinoman all Aluminum Canopy.

## WARRANTY SERVICE &amp; CARE GUIDE

- ✓ All Rhinoman products carry a comprehensive 2-year factory warranty.
- ✓ **PLEASE NOTE:** Your canopy will only be covered under warranty if it has been fitted by an approved Rhinoman fitment center or agent.
- ✓ Please do inspect the fasteners on the fitment brackets every once in a while, to ensure that all bolts are still tight and properly secured.

SHOULD YOU HAVE ANY ENQUIRIES ABOUT THE FITMENT, FEEL FREE TO CONTACT US



010 010 0060



SALES@RHINOMAN.CO.ZA



RHINOMAN.CO.ZA